



Electrolux
PROFESSIONAL

Modular Cooking Range Line
thermaline 90 - 800 mm Passthrough
base, 4 doors, GN conform, 2 Sides (H2)
- H=450

ITEM # _____

MODEL # _____

NAME # _____

SIS # _____

AIA # _____



589201 (MC2FCCH000) Passthrough Base, with 4 doors, two-side operated, GN - H2

Short Form Specification

Item No. _____

800 mm wide passthrough base compartment with 4 doors, to store pots, pans, sheet pans, etc. with hygienic design and round edges. Internal frame for heavy duty sturdiness in stainless steel. Flat surface construction, easily cleanable. Open storage space in the base accepts GN 1/1 containers. IPX5 water resistant certification. Configuration: Two-side operated freestanding base, hygienic class H2.

Main Features

- All major components may be easily accessed from the front.
- THERMODUL connection system creates a seamless work top when units are connected to each other thus avoiding soil penetrating vital components and facilitating the removal of units in case of replacement or service.
- Unit constructed according to DIN 18860_2 with 70 mm recessed plinth.

Construction

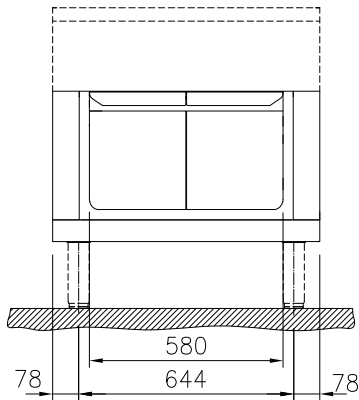
- IPX5 water resistance certification.
- Hygienic design of the open base compartment with large round edges.
- 2 mm top in 1.4301 (AISI 304).
- Flat surface construction with minimal hidden areas to easily clean all surfaces
- Storage space in the base of the appliance that can accept GN1/1 containers.
- Internal frame for heavy duty sturdiness in stainless steel.

APPROVAL: _____



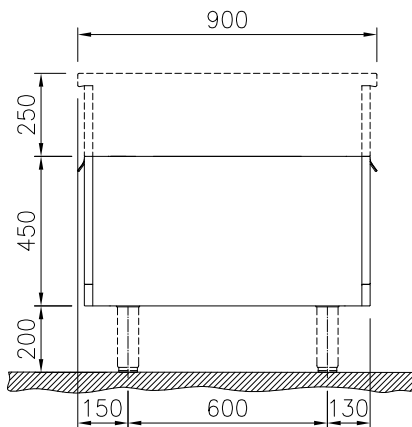
Experience the Excellence
www.electroluxprofessional.com

Front

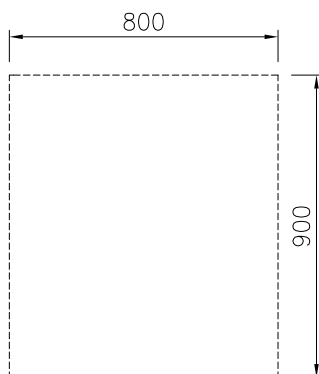

Key Information:

External dimensions, Width:	
589201 (MC2FCCH000)	800 mm
External dimensions, Depth:	900 mm
External dimensions, Height:	450 mm
Cupboard Cavity Dimensions (width):	580 mm
Cupboard Cavity Dimensions (height):	330 mm
Cupboard Cavity Dimensions (depth):	810 mm
Net weight:	34 kg

Side



Top





Optional Accessories

- Stainless steel side panel, 900x700mm, freestanding PNC 912512
- Stainless steel front kicking strip, 800mm width PNC 912634
- Stainless steel side kicking strip left and right, freestanding, 900mm width PNC 912657
- Stainless steel plinth, freestanding, 800mm width PNC 912958
- Perforated shelf for warming cabinets and cupboard bases (two-side operated for TL90) PNC 913237
- Side reinforced panel only in combination with side shelf, for freestanding units PNC 913260
- Shelf fixation for TL90 two-side operated PNC 913282
- Stainless steel dividing panel, 900x700mm, (it should only be used between Electrolux Professional thermaline Modular 90 and thermaline C90) PNC 913672
- Stainless steel side panel, 900x700mm, flush-fitting (it should only be used against the wall, against a niche and in between Electrolux Professional thermaline and ProThermetic appliances and external appliances - provided that these have at least the same dimensions) PNC 913688

